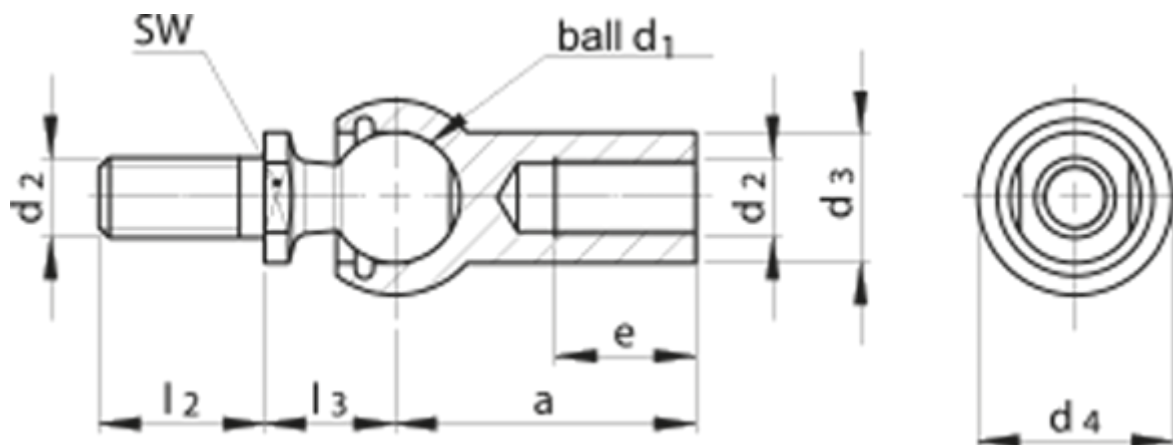


Article number: 1401233

Description: Ball joint CS 13 M8 DIN 71802 zinc plated

## Measures



a = 30

d<sub>1</sub> = 13

d<sub>2</sub> = M8

d<sub>3</sub> = 13

d<sub>4</sub> = 19.3

e = 14

FN = 60

l<sub>2</sub> = 16.5

l<sub>3</sub> = 13

sw = 11